



RIDE AMERICA[®]

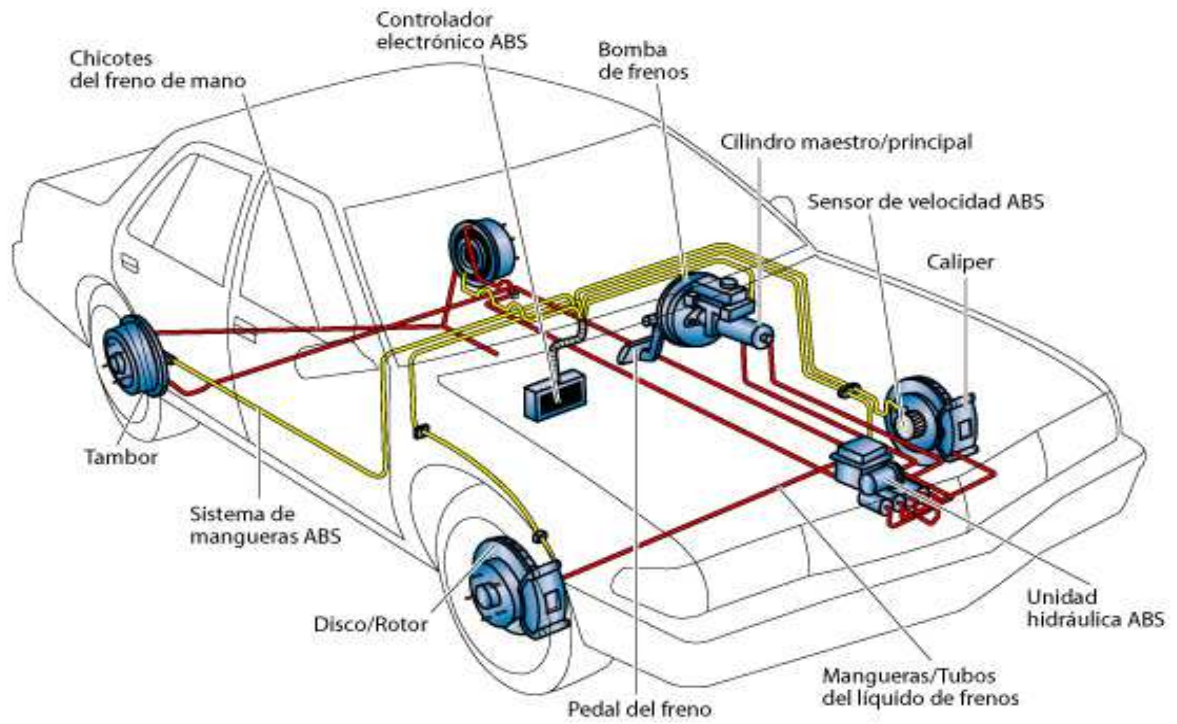
BRAKE & CLUTCH SYSTEM



**Cilindros Maestros
de Freno y Embrague**

RIDE AMERICA®

BRAKE & CLUTCH SYSTEM



CILINDROS MAESTROS DE FRENO Y EMBRAGUE



| APLICACIÓN | AÑO | TIPO | CODIGO | PAG |
|----------------------------|-------|-------|-------------|-----|
| CADILLAC | | | | |
| ESCALADE | 2000 | FRENO | RAMF-131468 | 3 |
| ESCALADE | 2000 | FRENO | RAMF-390259 | 3 |
| CHEVROLET | | | | |
| BLAZER | 92-94 | FRENO | RAMF-039646 | 4 |
| BLAZER | 95-97 | FRENO | RAMF-107747 | 3 |
| C10 PICKUP | 81-86 | FRENO | RAMF-104466 | 4 |
| C-15 | 94 | FRENO | RAMF-039646 | 4 |
| C-15 | 95 | FRENO | RAMF-390257 | 3 |
| C15/C1500 PICKUP | 81-86 | FRENO | RAMF-104466 | 4 |
| C1500 PICKUP | 95-99 | FRENO | RAMF-131468 | 3 |
| C1500 PICKUP | 95-99 | FRENO | RAMF-390259 | 3 |
| C1500 SUBURBAN | 95-99 | FRENO | RAMF-131468 | 3 |
| C1500 SUBURBAN | 95-99 | FRENO | RAMF-390259 | 3 |
| C-20 | 88-94 | FRENO | RAMF-039646 | 4 |
| C-20 | 95-00 | FRENO | RAMF-390257 | 3 |
| C-25 | 88-94 | FRENO | RAMF-039646 | 4 |
| C2500 PICKUP | 94-98 | FRENO | RAMF-131468 | 3 |
| C2500 PICKUP | 94-98 | FRENO | RAMF-390259 | 3 |
| C2500 SUBURBAN | 94-98 | FRENO | RAMF-131468 | 3 |
| C2500 SUBURBAN | 94-98 | FRENO | RAMF-390259 | 3 |
| GMC JIMMY | 95-97 | FRENO | RAMF-107747 | 3 |
| K1500 PICKUP | 94-99 | FRENO | RAMF-131468 | 3 |
| K1500 PICKUP | 94-99 | FRENO | RAMF-390259 | 3 |
| K1500 SUBURBAN | 94-99 | FRENO | RAMF-131468 | 3 |
| K1500 SUBURBAN | 94-99 | FRENO | RAMF-390259 | 3 |
| K2500 PICKUP | 94-98 | FRENO | RAMF-390259 | 3 |
| K2500 SUBURBAN | 94-98 | FRENO | RAMF-390259 | 3 |
| MAXI CAB | 92-94 | FRENO | RAMF-039646 | 4 |
| OLDSMOBILE | 91-97 | FRENO | RAMF-107747 | 3 |
| R10 PICK UP | 87 | FRENO | RAMF-104466 | 4 |
| R1500 PICKUP | 87 | FRENO | RAMF-104466 | 4 |
| S10 BLAZER | 83-94 | FRENO | RAMF-107747 | 3 |
| S10 PICKUP | 83-98 | FRENO | RAMF-107747 | 3 |
| S15 JIMMY | 83-94 | FRENO | RAMF-107747 | 3 |
| S15 PICKUP | 83-90 | FRENO | RAMF-107747 | 3 |
| SILVERADO 1500 | 95-99 | FRENO | RAMF-390257 | 3 |
| SILVERADO 2500 C/HidBooter | 95-99 | FRENO | RAMF-390257 | 3 |
| SONOMA | 91-97 | FRENO | RAMF-107747 | 3 |
| SUBURBAN | 88-94 | FRENO | RAMF-039646 | 4 |
| SUBURBAN | 88-00 | FRENO | RAMF-390257 | 3 |
| SYCLONE | 91 | FRENO | RAMF-107747 | 3 |
| TAHOE | 95-00 | FRENO | RAMF-390259 | 3 |
| TYPHOON | 92-93 | FRENO | RAMF-107747 | 3 |
| E CLASS | 83-84 | FRENO | RAMF-108134 | 3 |
| EXECUTIVE SEDAN | 83-84 | FRENO | RAMF-108134 | 3 |
| LASER | 84-86 | FRENO | RAMF-108134 | 3 |
| LEBARON | 83-88 | FRENO | RAMF-108134 | 3 |
| NEW YORKER | 83-88 | FRENO | RAMF-108134 | 3 |
| RAM 1500 2x2 | 97 | FRENO | RAMF-390257 | 3 |
| RAM 1500 4x4 | 97 | FRENO | RAMF-390257 | 3 |
| RAM 2500 2x2 (7500lb) | 95-97 | FRENO | RAMF-390257 | 3 |
| RAM 2500 4x4 (7500lb) | 95-97 | FRENO | RAMF-390257 | 3 |
| TOWN & COUNTRY | 88-93 | FRENO | RAMF-108134 | 3 |

| APLICACIÓN | AÑO | TIPO | CODIGO | PAG |
|------------|-----|------|--------|-----|
|------------|-----|------|--------|-----|

DODGE

| | | | | |
|-------------|-------|-------|-------------|---|
| 400 | 83 | FRENO | RAMF-108134 | 3 |
| 600 | 83-88 | FRENO | RAMF-108134 | 3 |
| ARIES | 89 | FRENO | RAMF-108134 | 3 |
| B150 VAN | 88-81 | FRENO | RAMF-098895 | 4 |
| B250 VAN | 89-81 | FRENO | RAMF-098895 | 4 |
| B350 VAN | 89-81 | FRENO | RAMF-098895 | 4 |
| D100 PICKUP | 89-86 | FRENO | RAMF-098895 | 4 |
| D150 PICKUP | 81-93 | FRENO | RAMF-098895 | 4 |
| D250 PICKUP | 88-91 | FRENO | RAMF-098895 | 4 |
| D350 PICKUP | 85-91 | FRENO | RAMF-098895 | 4 |
| D400 PICKUP | 81 | FRENO | RAMF-098895 | 4 |
| D450 PICKUP | 81 | FRENO | RAMF-098895 | 4 |
| RAMCHARGER | 81-93 | FRENO | RAMF-098895 | 4 |
| W100 PICKUP | 89-86 | FRENO | RAMF-098895 | 4 |
| W150 PICKUP | 81-93 | FRENO | RAMF-098895 | 4 |

FORD

| | | | | |
|-----------------|-------|-------|-------------|---|
| AEROSTAR | 87-89 | FRENO | RAMF-114075 | 3 |
| BRONCO | 87-96 | FRENO | RAMF-120369 | 3 |
| E-150 ECONOLINE | 88-96 | FRENO | RAMF-120369 | 3 |
| E-250 ECONOLINE | 84-86 | FRENO | RAMF-110919 | 3 |
| E-250 ECONOLINE | 87-91 | FRENO | RAMF-120369 | 3 |
| E-350 ECONOLINE | 84-86 | FRENO | RAMF-110919 | 3 |
| EXPLORER | 91-94 | FRENO | RAMF-122576 | 3 |
| EXPLORER | 95-97 | FRENO | RAMF-131399 | 3 |
| F-150 PICKUP | 87-96 | FRENO | RAMF-120369 | 3 |
| F-250 PICKUP | 84-86 | FRENO | RAMF-110919 | 3 |
| F-250 PICKUP | 87-92 | FRENO | RAMF-120369 | 3 |
| F-350 PICKUP | 84-86 | FRENO | RAMF-110919 | 3 |
| RANGER | 90-94 | FRENO | RAMF-122576 | 3 |
| RANGER 2.3 | 95-97 | FRENO | RAMF-131399 | 3 |
| RANGER 3.0 | 95-97 | FRENO | RAMF-131399 | 3 |

MAZDA

| | | | | |
|--------|-------|-------|-------------|---|
| B2300 | 94 | FRENO | RAMF-122576 | 3 |
| B2300 | | FRENO | RAMF-131399 | 3 |
| B3000 | | FRENO | RAMF-131399 | 3 |
| B4000 | 94 | FRENO | RAMF-122576 | 3 |
| NAVAJO | 91-94 | FRENO | RAMF-122576 | 3 |

MERCEDES BENZ

| | | | | |
|-----|--|----------|-----------------|---|
| 366 | | EMBRAGUE | RAMF-4601072Y04 | 3 |
|-----|--|----------|-----------------|---|

NISSAN

| | | | | |
|----------------------------|--|-------|-----------------|---|
| PATHFINDER 15/16 3 Salidas | | FRENO | RAMF-4601009G00 | 3 |
| PICKUP 15/16 | | FRENO | RAMF-4601009G00 | 3 |
| SENTRA B13 Dep. Alargado | | FRENO | RAMF-4601072Y04 | 3 |
| TSURU III C/Sensor | | FRENO | RAMF-4601072Y04 | 3 |

VOLKSWAGEN

| | | | | |
|----------|-------|-------|-----------------|---|
| GOLF | | FRENO | RAMF-1J1614019 | 3 |
| JETTA A4 | | FRENO | RAMF-1J1614019 | 3 |
| SEDAN | 66-91 | FRENO | RAMF-113611021C | 3 |



RAMF-039646



RAMF-098895



RAMF-104466



RAMF-107747



RAMF-108134



RAMF-110919



RAMF-113611021C



RAMF-114075



RAMF-120369



RAMF-122576



RAMF-131399



RAMF-131468



RAMF-1J1614019



RAMF-390257



RAMF-390259



RAMF-4601009G00



RAMF-4601072Y04



RAMC-033.5



ESPERA PROXIMAS APLICACIONES.....

A decorative pattern of blue, glossy spheres of varying sizes, arranged in a roughly circular pattern at the top of the page. The spheres have a gradient from light blue to dark blue, giving them a three-dimensional appearance.

RIDE
AMERICA[®]

A series of red diagonal stripes, slanted downwards from left to right, positioned below the word 'AMERICA'.

BRAKE & CLUTCH SYSTEM

